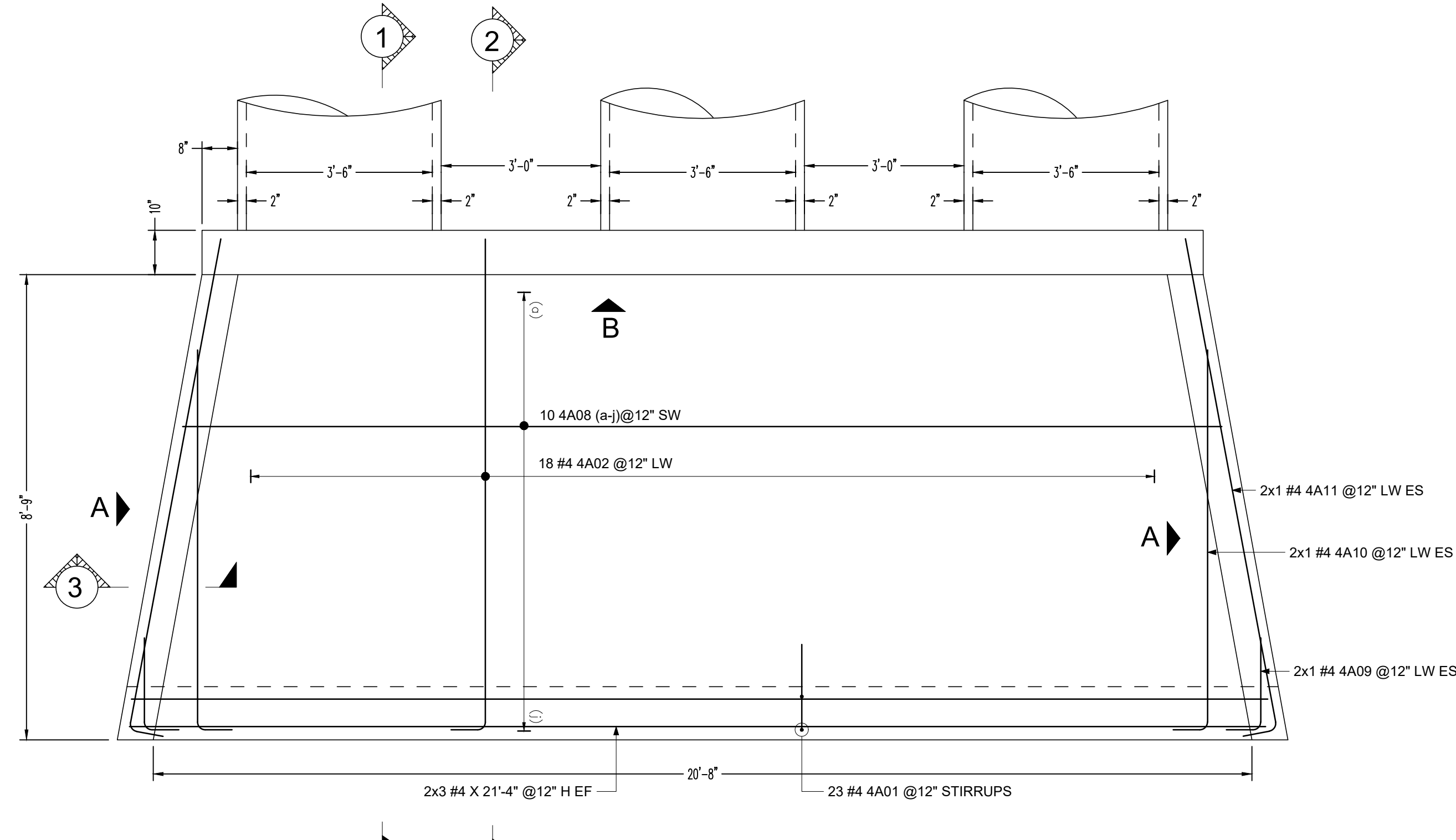


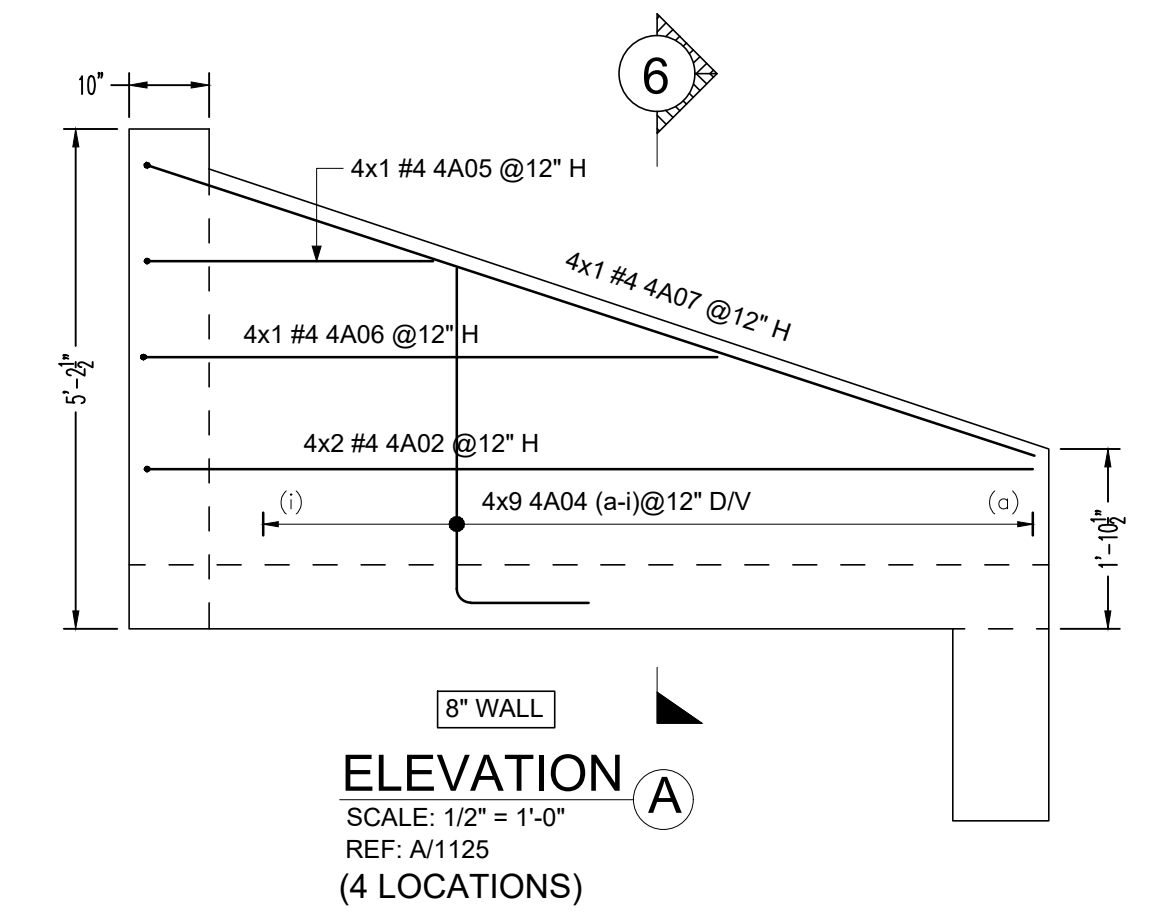
**OUTLET HEADWALL REINF. DETAILS**

Scale - 1/2" = 1'-0"  
REF: 1125

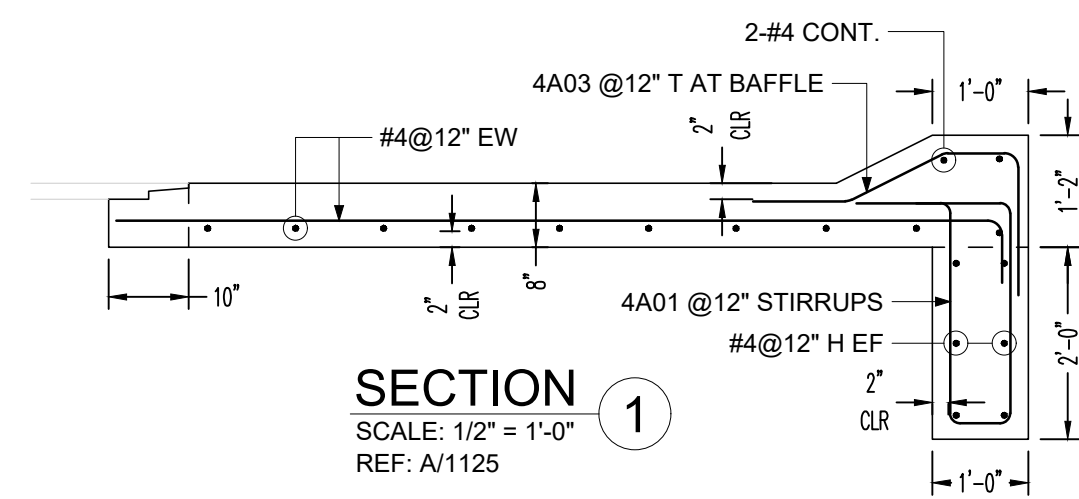


**INLET HEADWALL REINF. DETAILS**

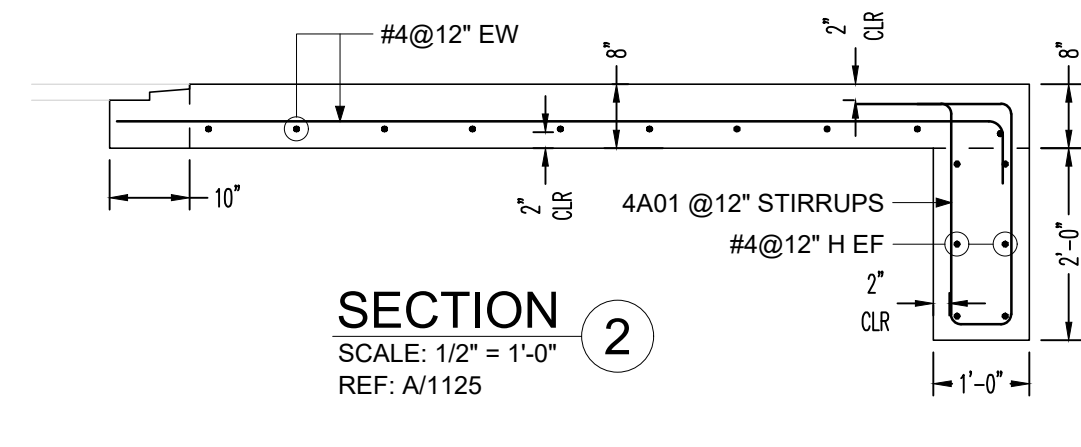
Scale - 1/2" = 1'-0"  
REF: 1125



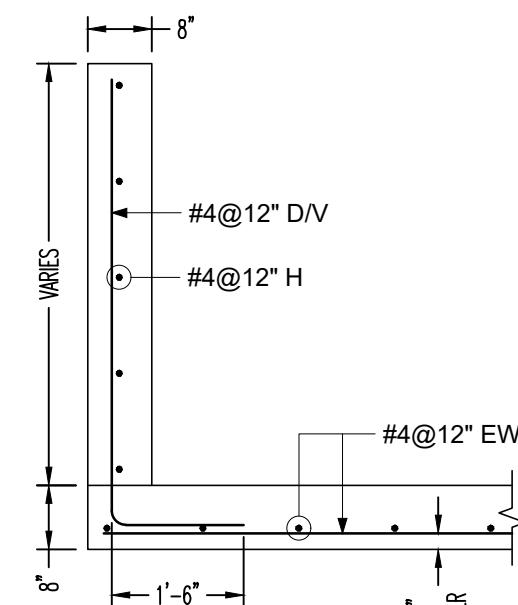
**ELEVATION A**  
SCALE: 1/2" = 1'-0"  
REF: A/1125  
(4 LOCATIONS)



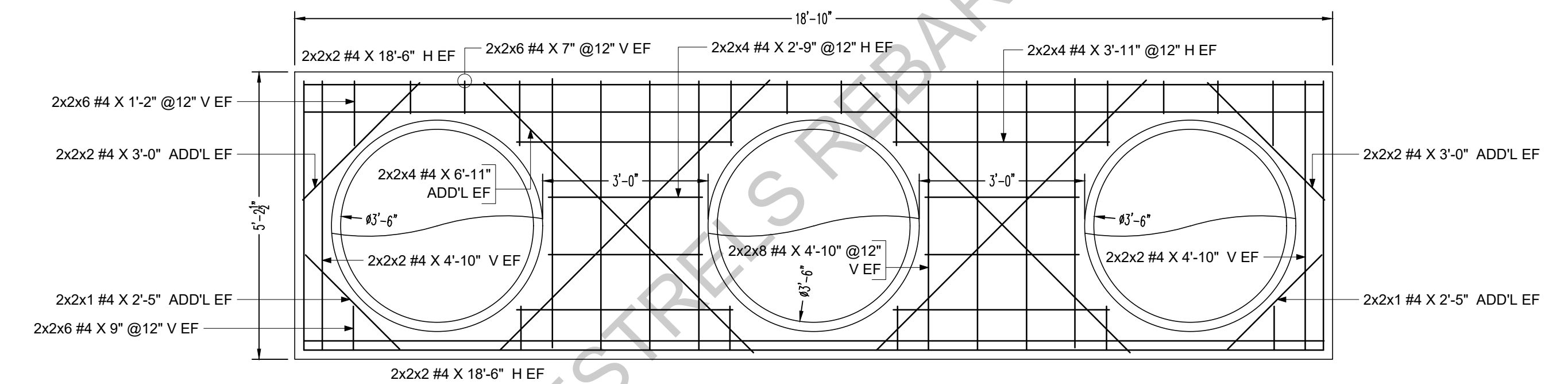
**SECTION 1**  
SCALE: 1/2" = 1'-0"  
REF: A/1125



**SECTION 2**  
SCALE: 1/2" = 1'-0"  
REF: A/1125

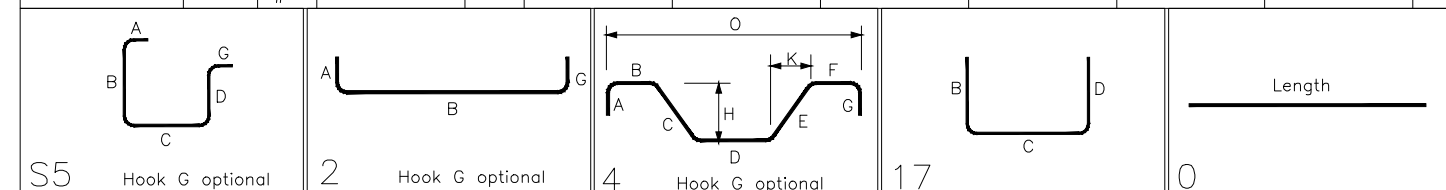


**SECTION 3**  
SCALE: 1/2" = 1'-0"  
REF: C/1125



**ELEVATION B**  
SCALE: 1/2" = 1'-0"  
REF: B/1125  
(2 LOCATIONS)

Drawing Sheet : R-01		BAR LIST														
Bar Mark	Qty	Size	Total Length	Type	'A'	'B'	'C'	'D'	'E'	'F'	'G'	'H'	'J'	'K'	'U'	'W'
4A01	46	#4	7'-4"	S5	1'-0"	2'-4"	0'-8"	2'-4"			1'-0"					
4A02	44	#4	9'-11"	2	0'-8"	9'-3"										
4A03	24	#4	4'-4 3/4"	4	1'-6"	0'-9 3/4"	1'-1 3/4"	1'-0"				0'-6 3/4"	0'-11 3/4"	2'-9 3/4"		
4A04a	4	#4	3'-0"	17		1'-6"	1'-6"									
Varies To																
4A04i	4	#4	5'-8"	17		1'-6"	4'-2"									
4A05	4	#4	3'-8"	2	0'-8"	3'-0"										
4A06	4	#4	6'-8"	2	0'-8"	6'-0"										
4A07	4	#4	10'-5"	2	0'-8"	9'-9"										
4A08a	2	#4	18'-7"			18'-7"										
Varies To																
4A08j	2	#4	21'-7"			21'-7"										
4A09	4	#4	2'-5"	2	0'-8"	1'-9"										
4A10	4	#4	7'-10"	2	0'-8"	7'-2"										
4A11	4	#4	10'-1"	2	0'-8"	9'-5"										



ABBREVIATIONS	
TOP & BOTTOM	T&B
CONTINUOUS	CONT.
TRANSVERSE	TRANS.
DOWEL/VERTICAL	D/V
VERTICAL	V
HORIZONTAL	H
EACH FACE	EF
BOTTOM OF FOOTING	B.O.F

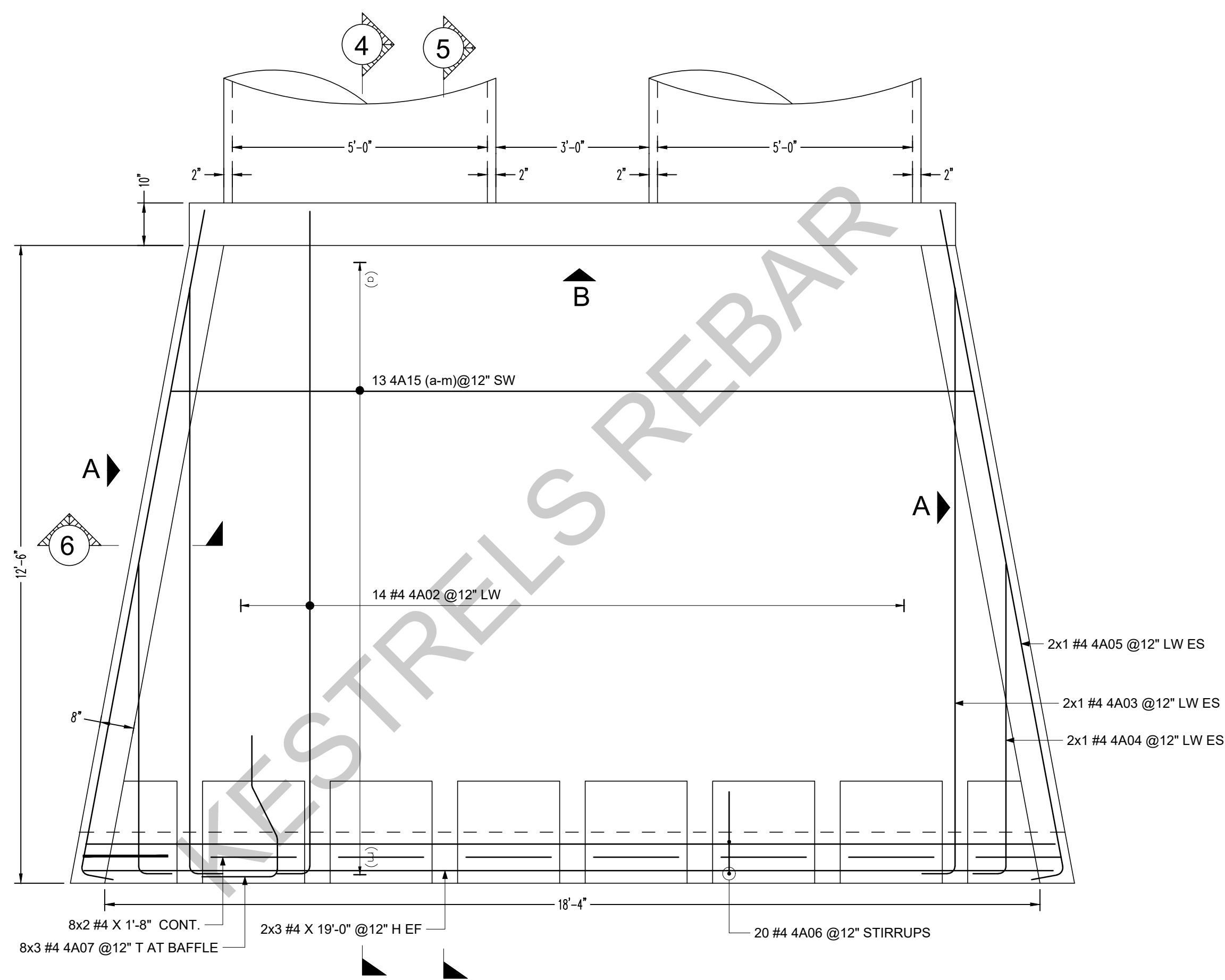
- NOTES:-**
- TYPICAL CLEARANCES  
SLAB & WALL  
A) TOP - 2"  
B) SIDE - 2"  
C) BOTTOM - 2"
  - PROVIDE FIELD CUT AS REQUIRED LOCATIONS
  - BARS TO BE PLACED AT EQUAL SPACING U.O.N.
  - TILT HOOK TO ACCOMMODATE THE COVER, IF NEEDED

THIS DRAWING TO BE USED FOR REBAR PLACEMENT ONLY

FOR FILE & FIELD USE

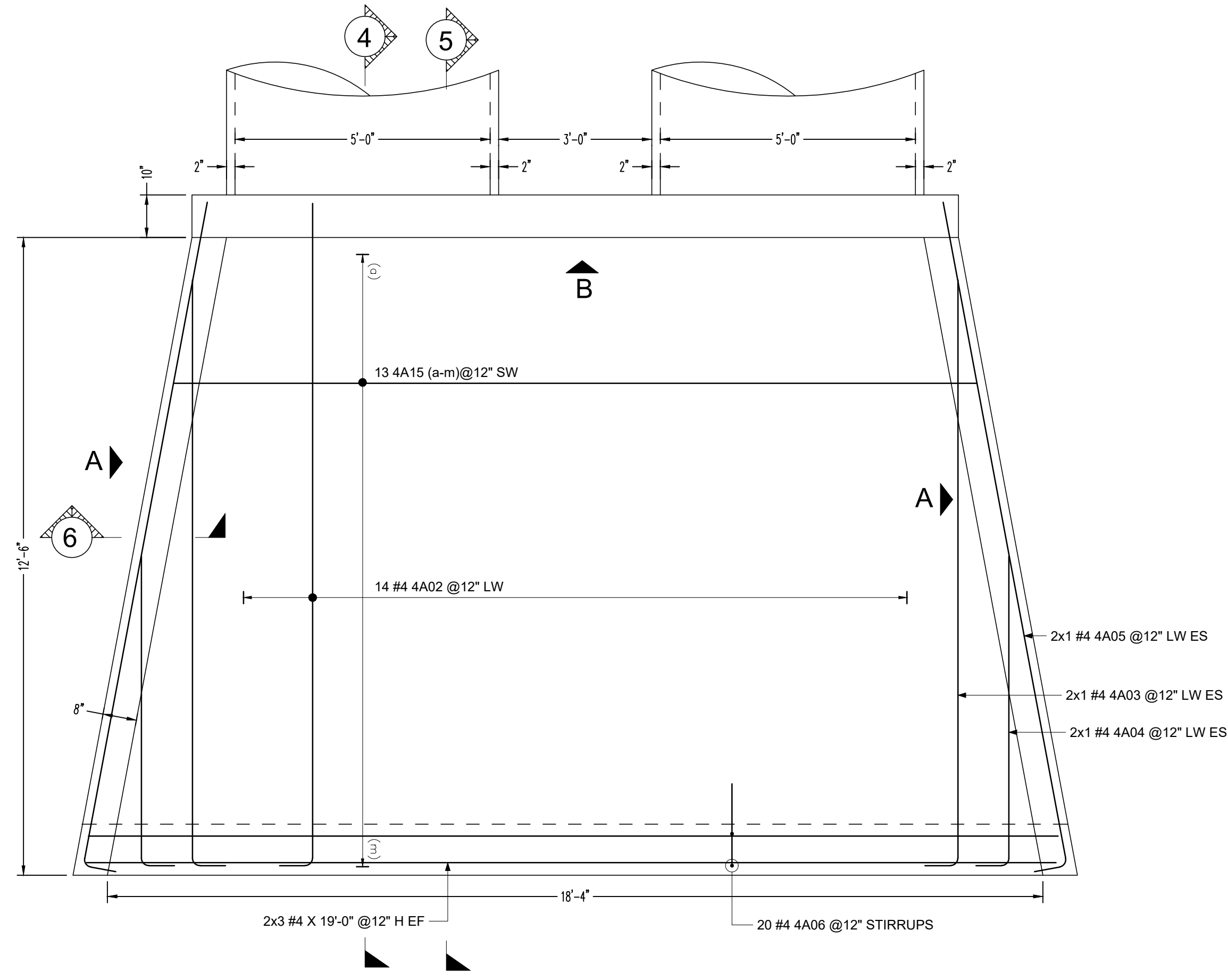
ALL BARS IN THIS DRAWING  
ASTM A615 GRADE 60  
BLACK UNCOATED (U.N.O.)

ALL BARS ARE ASTM A615 GRADE 60 BLACK



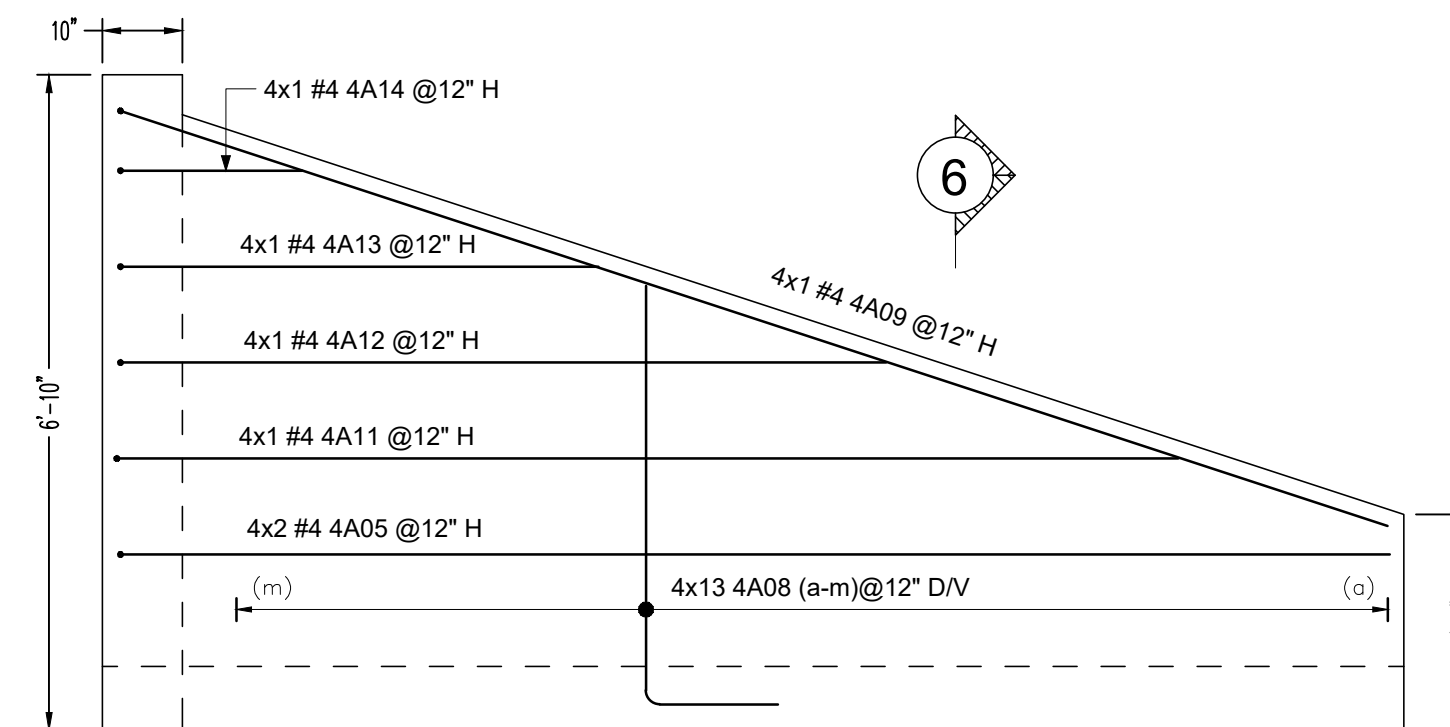
**OUTLET HEADWALL REIN. DETAILS**

Scale - 1/2" = 1'-0"  
REF: 1125



**INLET HEADWALL REIN. DETAILS**

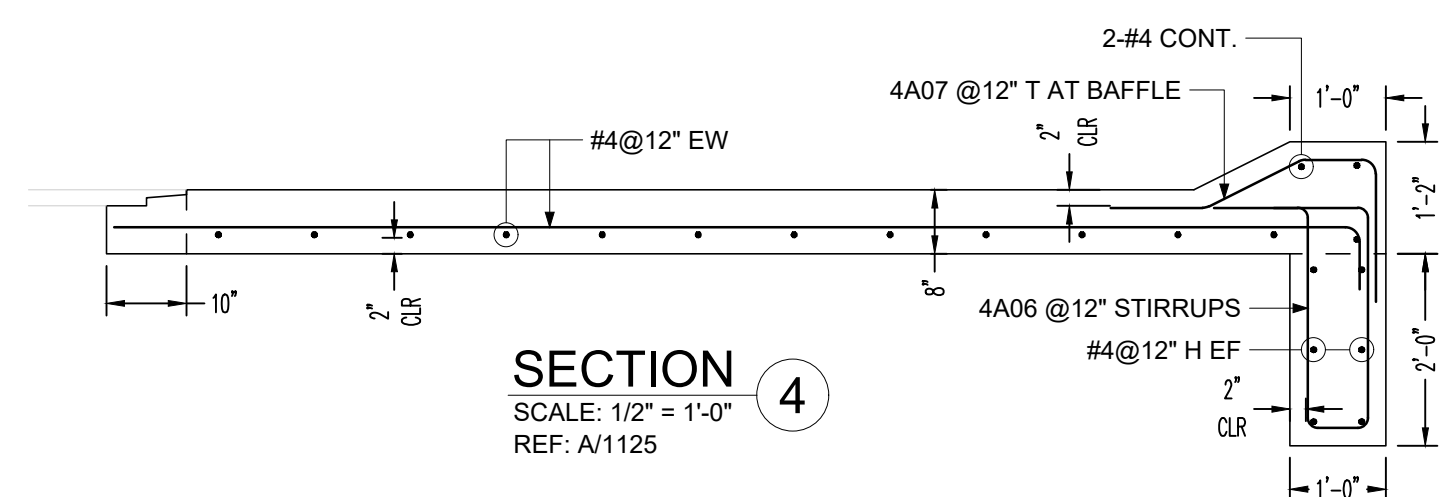
Scale - 1/2" = 1'-0"  
REF: 1125



**8" WALL**

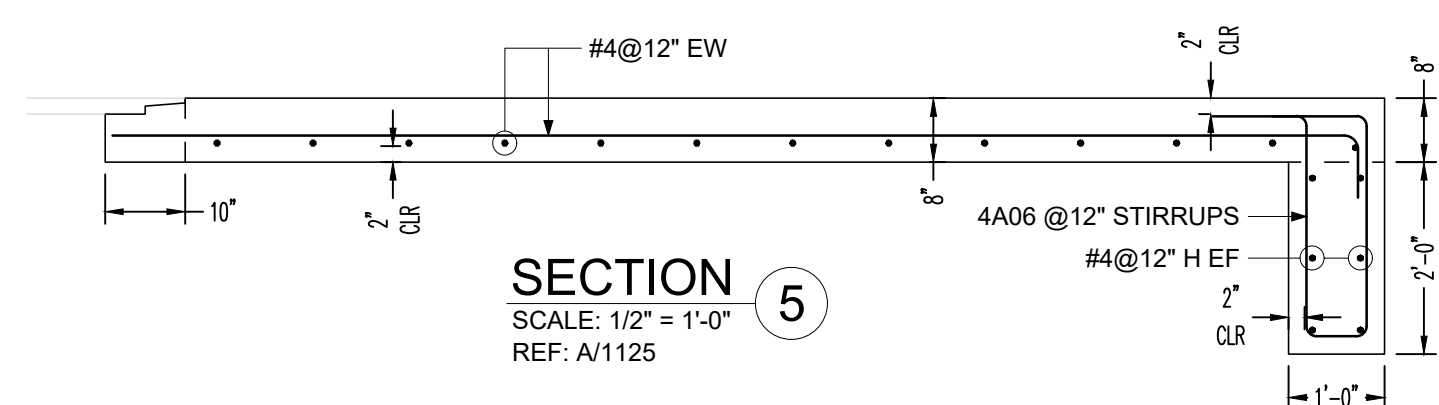
**ELEVATION A**

SCALE: 1/2" = 1'-0"  
REF: A/1125  
(4 LOCATIONS)



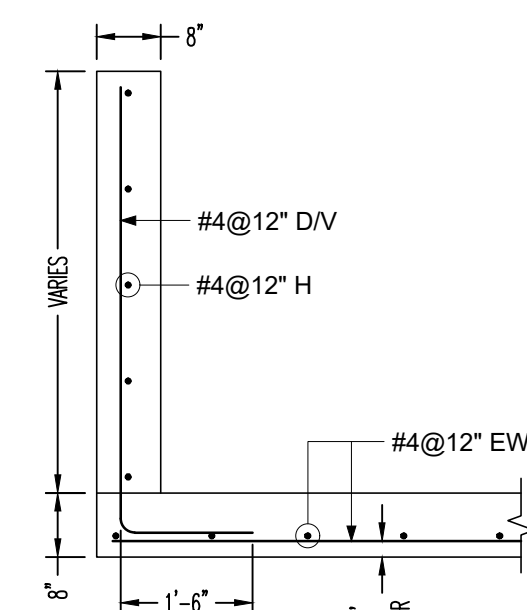
**SECTION 4**

SCALE: 1/2" = 1'-0"  
REF: A/1125



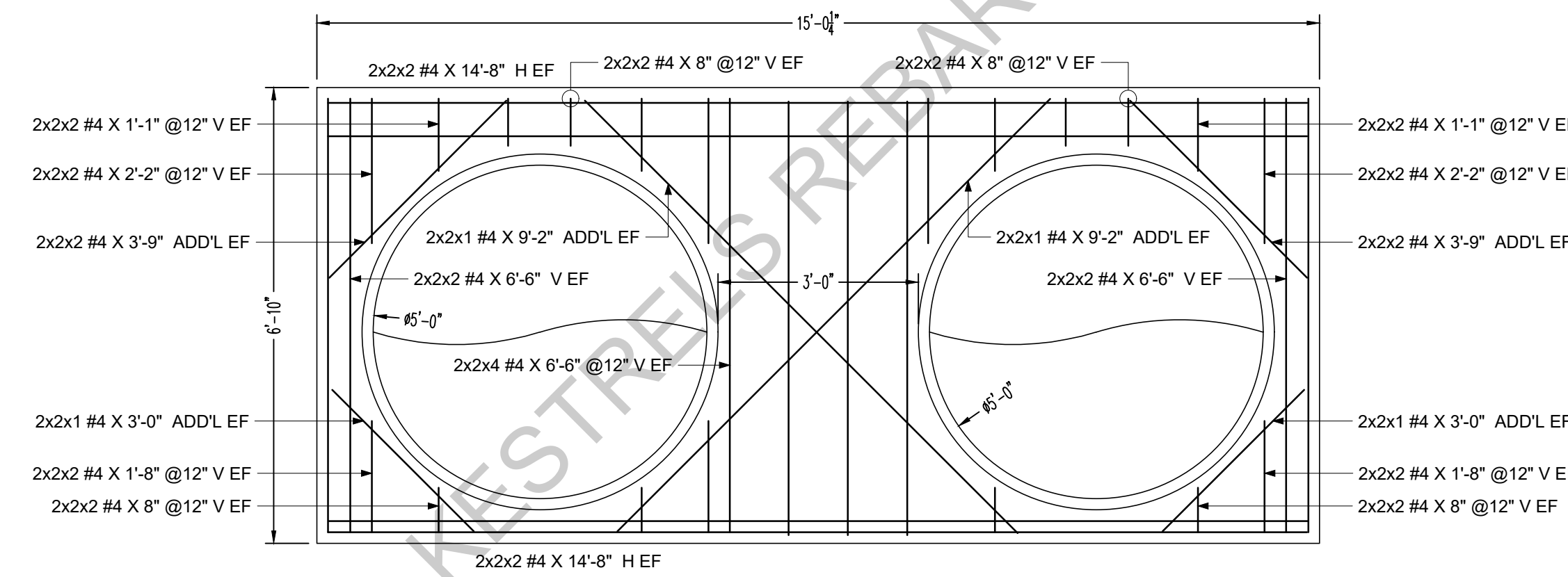
**SECTION 5**

SCALE: 1/2" = 1'-0"  
REF: A/1125



**SECTION 6**

SCALE: 1/2" = 1'-0"  
REF: C/1125



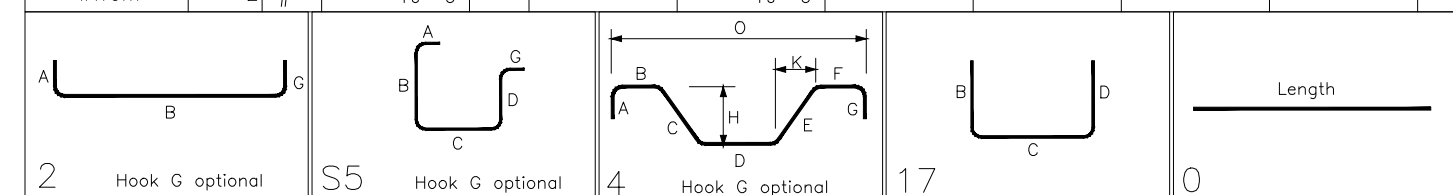
**10" WALL**

**ELEVATION B**

SCALE: 1/2" = 1'-0"  
REF: B/1125  
(2 LOCATIONS)

Drawing Sheet : R-01A

Bar Mark	Qty	Size	Total Length	Type	'A'	'B'	'C'	'D'	'E'	'F'	'G'	'H'	'J'	'K'	'L'
4A02	28	#4	13'-8"	2	0'-8"	13'-0"									
4A03	4	#4	12'-2"	2	0'-8"	11'-6"									
4A04	4	#4	6'-9"	2	0'-8"	6'-1"									
4A05	12	#4	13'-11"	2	0'-8"	13'-3"									
4A06	40	#4	7'-4"	SS	1'-0"	2'-4"	0'-8"	2'-4"			1'-0"				
4A07	24	#4	4'-5"	4	1'-6"	0'-9 3/4"	1'-1 3/4"	1'-0"							
4A08a	4	#4	3'-4"	17		1'-6"	1'-10"						0'-6 3/4"	0'-11 3/4"	2'-9 3/4"
Varies To															
4A08m	4	#4	7'-4"	17		1'-6"	5'-10"								
4A09	4	#4	14'-7"	2	0'-8"	13'-11"									
4A11	4	#4	11'-9"	2	0'-8"	11'-1"									
4A12	4	#4	8'-8"	2	0'-8"	8'-0"									
4A13	4	#4	5'-8"	2	0'-8"	5'-0"									
4A14	4	#4	2'-7"	2	0'-8"	1'-11"									
4A15a	2	#4	14'-10"			14'-10"									
Varies To															
4A15m	2	#4	19'-3"			19'-3"									



THIS DRAWING TO BE USED FOR REBAR PLACEMENT ONLY  
FOR FILE & FIELD USE

ALL BARS IN THIS DRAWING  
ASTM A615 GRADE 60  
BLACK UNCOATED (U.N.O.)